

TYPE: PROJECT: CATALOG#: LED CEILING LIGHT



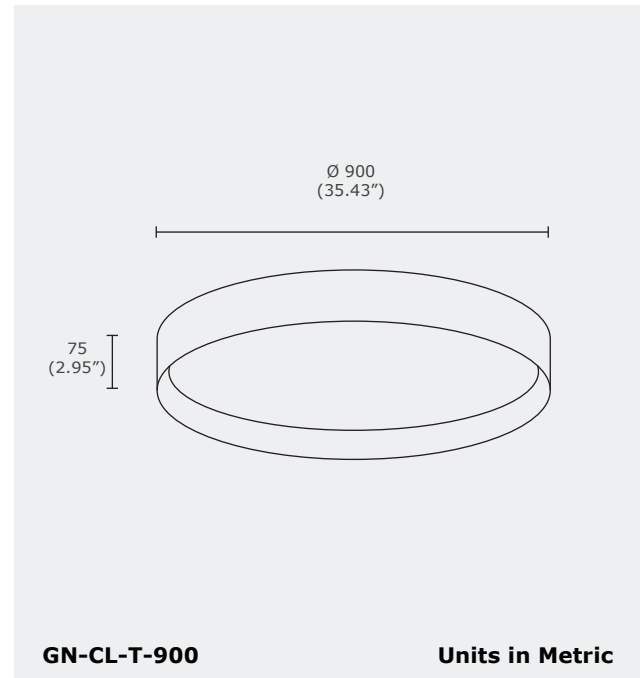
## Product Features

GN-CL-T is a LED ceiling light with a design of round aluminum housing. It has an optimal cooling, micro prismatic cover for eye comfort and RGBW function for decorative occasion. This product comes in 4 different mounting options

## Product Specifications

Model	GN-CL-T-900-68
Lumen Output	8000 lm
Power Consumption (W)	68 W
Efficacy	117.5 lm/W
Input Voltage	120-277V AC
Colour Temperature (CCT)	3000K, 3500K, 4000K
CRI	Ra 80
Dimensions	Ø 900 x 75 mm
Beam Angle	90°

## Technical Drawing



DIMMABLE   IESNA LM-79 IESNA LM-80 IP20 5 YEARS LIMITED WARRANTY INCLUDED

## Order Form

GN	CL-T	900	4	5	6	7	8	9
Series	Model	Size						
<b>4. WATTAGE</b>	<b>5. VOLTAGE</b>	<b>6. CCT</b>	<b>7. HOUSING</b>	<b>8. DIMMING</b>	<b>9. ACCESSORIES</b>			
<b>68</b> 68 W	<b>A</b> 120-277V AC	<b>30</b> 3000K <b>35</b> 3500K <b>40</b> 4000K	<b>BG</b> Black & Gold <b>WH</b> White	<b>NN</b> None <b>DM</b> 0-10V <b>TR</b> TRIAC	<b>CS</b> Cable Suspension <b>RS</b> Rod Suspension <b>SM</b> Surface Mount			