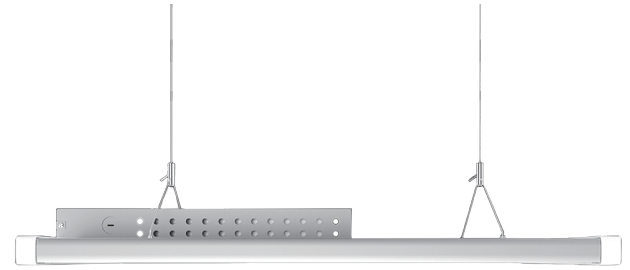


TYPE:

PROJECT:

CATALOG#:

LED HIGHBAY



## Product Features

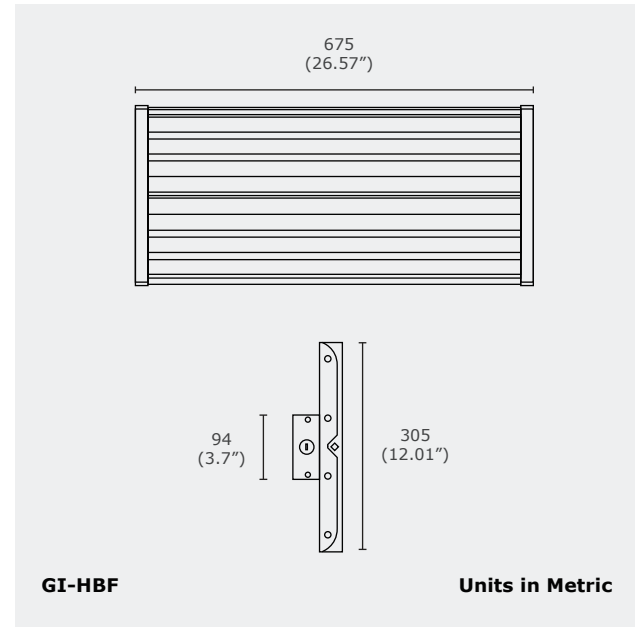
GI-HBF is a LED highbay with housing constructed of aluminum alloy which designed for food processing applications and intelligent control - dimmable/ DALI control. The suspension mount is ideal for flood lighting.

## Product Specifications

Model	GI-HBF-80	GI-HBF-120	GI-HBF-180
Lumen Output	11600 lm	17400 lm	26100 lm
Power Consumption	80 W	120 W	180 W
Efficacy	145 lm/W	145 lm/W	145 lm/W
Input Voltage	120-277V AC, 347V AC		
Colour Temperature	3000K, 4000K, 5000K		
Dimensions (mm)	Ra 80		
Beam ANgle	675 x 305 x 94 mm		
IP Rating	IP20		



## Technical Drawing



## Order Form

GI	-	-	-	-	-	-
Series	Model	3	4	5	6	

<b>2. MODEL</b>	<b>3. WATTAGE</b>	<b>4. VOLTAGE</b>	<b>5. CCT</b>	<b>6. OPTIONAL ACCESSORIES</b>	
<b>HBF</b> HBF	<b>80</b> 80 W	<b>A</b> 120-277V AC	<b>35</b> 3500K	<b>MS</b> Motion Sensor	<b>DM</b> 1-10V Dimming
	<b>120</b> 120 W	<b>B</b> 347V AC	<b>40</b> 4000K	<b>DS</b> Daylight Sensor	<b>EB</b> Emergency Backup
	<b>180</b> 180 W		<b>50</b> 5000K	<b>SD</b> Step-Dimming Motion Sensor	