



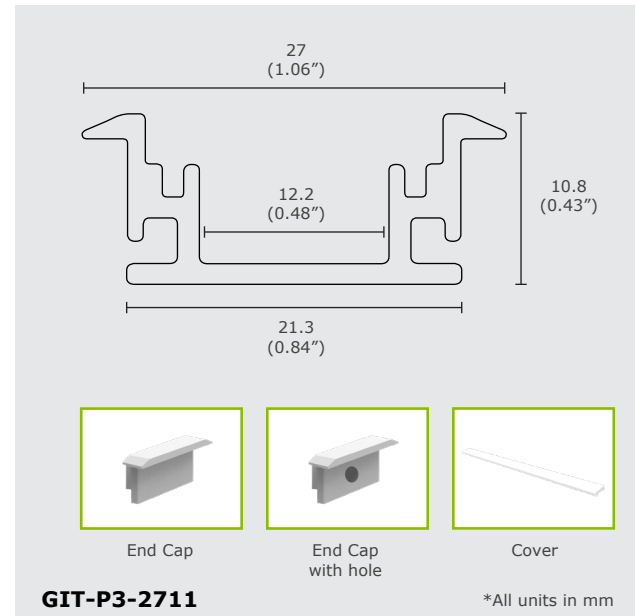
Product Features

GIT-P3-2711 is an in-ground walk over profile which applied to the floor (integrated with architecture). It designed with close fitting design without screw (more convenient installation) and a very thin form which suitable for indoor floor, outline and decorating. This profile is made from AK6063-T5 aluminum with high quality surface treatment.

Product Specifications

Model	GIT-P3-2711
Length	2500 mm
Dimensions	27 X 10.8 mm
Material	Aluminum
Cover Option	Frosted Diffuser
Warranty	5 Years

Technical Drawing



5 YEARS LIMITED WARRANTY INCLUDED

Order Form

P3	-	-	-	-	-
Series	2	3	4	5	
2. MODEL	3. LENGTH	4. COVER OPTION	5. ACCESSORIES		
2711 2711	2500 2500 (2.5m)	FD Frosted Diffuser	E End Cap	EH End Cap With Hole	