

TYPE:

PROJECT:

CATALOG#:



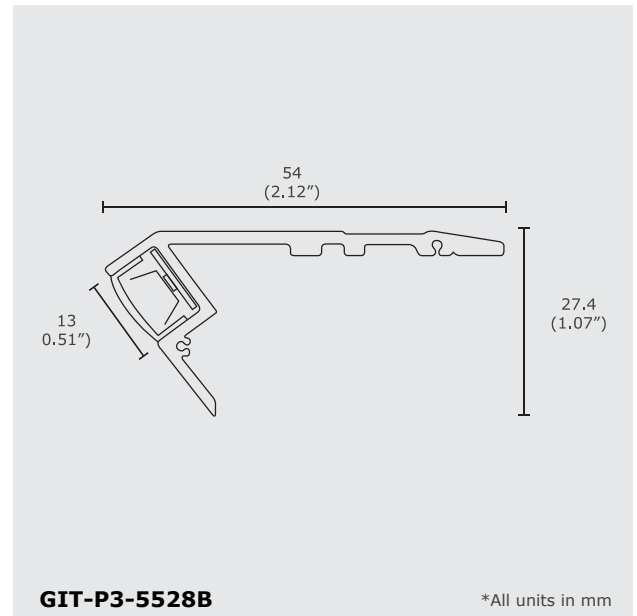
Product Features

GIT-P3-5528B is a staircase profile that comes with end caps to attach onto the ends of the profile. The diffuser cover makes it suitable for commercial and indoor lighting. Mounting clips are available and optional for a quick and simple installation. It is recommended to use with Green Image Strip lights, model GS-50BID.

Product Specifications

Model	GIT-P3-5528B
Length	2500 mm
Dimensions (mm)	54 x 27.4 mm
Material	Aluminum
Max LED Strip	13 mm
Cover Options	Clear, Milky or Frosted
Colour Options	Silver, Black or White
Finish	Anodized or Painted

Technical Drawing



5 YEARS LIMITED WARRANTY INCLUDED

Order Form

P3	2	3	4	5	6
Series					
2. MODEL	3. LENGTH	4. COVER OPTIONS	5. HOUSING	6. FINISH	
5528B 5528B	2500 2500 (2.5m)	C Clear M Milky F Frosted	SV Silver WH White BL Black	AN Anodized PT Painted	