

TYPE:

PROJECT:

CATALOG#:



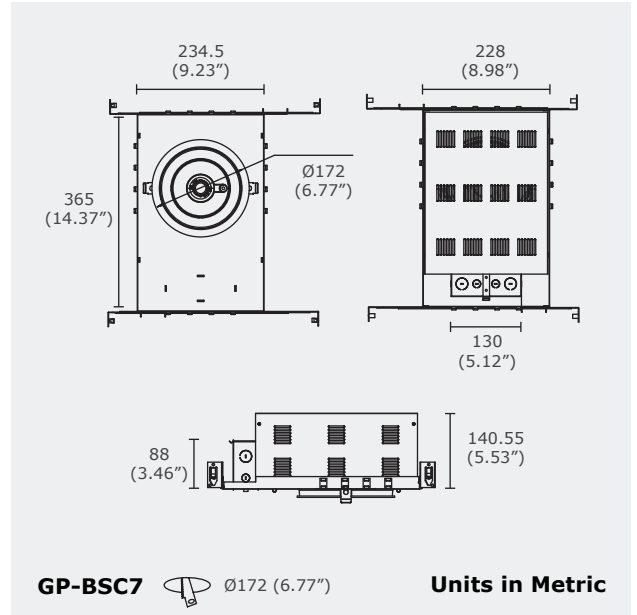
## Product Features

GP-BSC7 is a LED downlight with complex double focus optical system. Available in various lens options. It is the best choice for shops and general lightings

## Technical Drawing

## Product Specifications

Model	GP-BSC7
Lumen Output	4000 lm
Power Consumption (W)	40 W
Input Voltage	120-277V AC
Colour Temperature (CCT)	2700K, 3000K, 3500K, 4000K
CRI	Ra 90
Dimensions (mm)	365 x 234.5 x 140.55 mm
Beam Angle	15°, 24°, 36°
IP Rating	IP54



IP54  
RAVED & TESTED

ETL  
ROHS

RoHS

CE

IESNA LM-79

IESNA LM-80

5 YEARS LIMITED WARRANTY INCLUDED

## Order Form

GP	-	-	-	-	-	-	-	-
Series	Model	3	4	5	6	7		
<b>2. MODEL</b>	<b>3. VOLTAGE</b>	<b>4. CCT</b>		<b>5. BEAM ANGLE</b>		<b>6. HOUSING</b>		<b>7. LENS</b>
BSC7 BSC7	A 120-277V AC	27 2700K 35 3500K	30 3000K 40 4000K	15 15° 36 36°	24 24°	BL Black GR Grey	WH White	GL Glass SF Smooth Filter DF Diffuser HC Honey Comb