

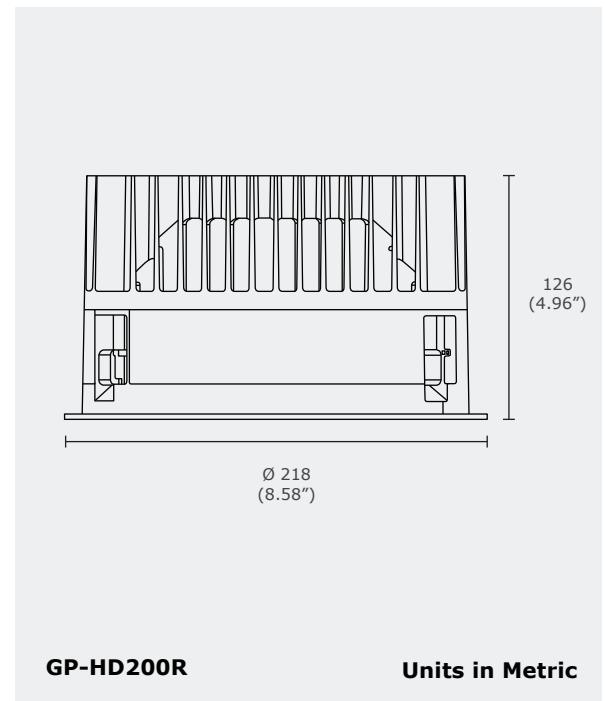
TYPE: PROJECT: CATALOG#: LED DOWNLIGHT



Product Features


GP-HD200R is a LED durable design downlight with high efficiency and functionality. This light has narrow, medium and flood beam angles. Reflectors of matte, white and black colours. Also applicable to all typical downlight contexts, IP Rated.

Technical Drawing



Product Specifications

Model	HD200R-28	HD200R-42	HD200R-56
Lumen Output	2800 - 3400 lm	3900 - 4600 lm	4800 - 5600 lm
Power Consumption (W)	28 W	42 W	56 W
Input Voltage	120-277V AC, 347V AC		
LED Current	700 mA		
Colour Temperature (CCT)	Ra 80, Ra 90		
CRI	2700K, 3000K, 3500K, 4000K		
Dimensions (mm)	18°, 30°, 60°		
Beam Angle	Ø 216 x 126 mm		
IP Rating	54		

 IESNA LM-80 IESNA LM-79 IP54 5 YEARS LIMITED WARRANTY INCLUDED

Order Form

GP	HD-200R	3	4	5	6	7	8	9
Series	Model							
3. WATTAGE	4. VOLTAGE	5. BEAM ANGLE	6. CCT	7. DIMMING	8. HOUSING	9. CRI		
28 28 W	A 120-277V AC	18 18°	27 2700K	DL DALI	M Matte	80 Ra80		
42 42 W	B 347V AC	30 30°	30 3000K	DM 0-10V	W White	90 Ra90		
56 56 W		60 60°	35 3500K	TR TRIAC	B Black			
			40 4000K					