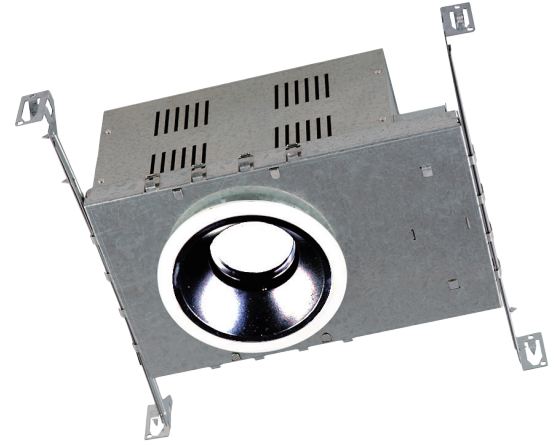


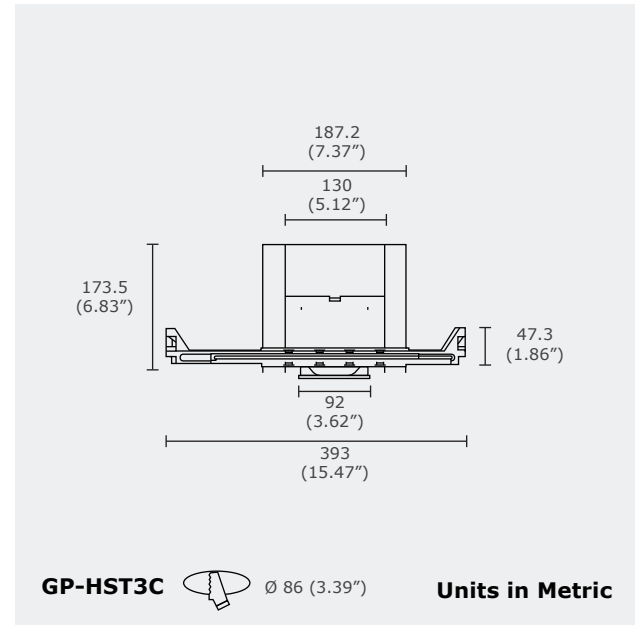
TYPE: PROJECT: CATALOG#: LED DOWNLIGHT



Product Features

GP-HST3C is a LED downlight with pure aluminum anodized reflector which has two luminous efficiencies, wall wash and vertical. Made from high-quality aluminum die-casting material body and surface frame.

Technical Drawing



Product Specifications

Model	GP-HST3C
Lumen Output	1200 lm
Power Consumption (W)	12 W
Input Voltage	120-277V AC
Colour Temperature (CCT)	2700K, 3000K, 3500K, 4000K
CRI	Ra 90
Dimensions (mm)	393 x 140.1 mm
Beam Angle	15°, 24°, 36°
IP Rating	IP20



Order Form

GP	HST3C	3	4	5	6	7	8	9
Series	Model							
3. WATTAGE	4. VOLTAGE	5. BEAM ANGLE	6. CCT	7. HOUSING	8. LENS	9. ACCESSORIES		
12 12 W	A 120-277V AC	15 15° 24 24° 36 36°	27 2700K 30 3000K 35 3500K 40 4000K	BL Black WH White GR Grey	WH White BL Black SC Scrub GR Grey	GL Glass DF Diffusing Filter SF Smooth Filter HC Honey Comb		