

TYPE:

PROJECT:

CATALOG#:

LED DOWNLIGHT



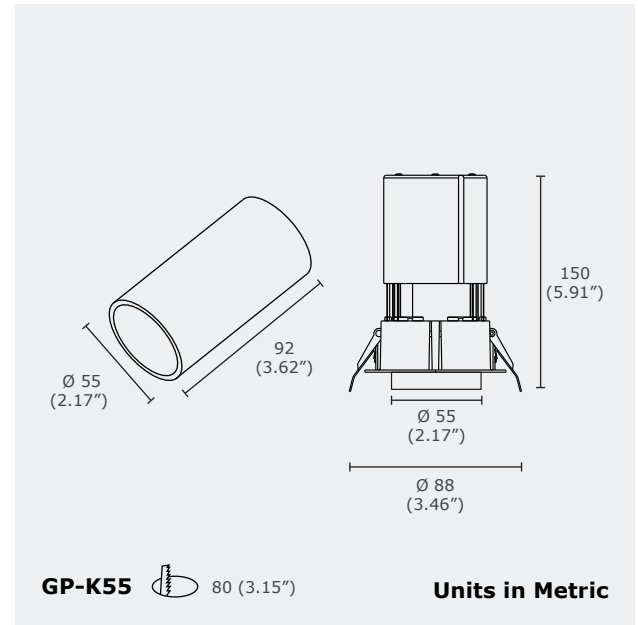
## Product Features

GP-K55 is a LED downlight with extruded aluminum alloy. Decorative with ring of black, white and gold. The option of dimming is 1-10V Dimming with flexible lighting schemes & 350° rotatable and 90° tilt.

## Technical Drawing

## Product Specifications

Model	GP-K55
Lumen Output	720-800 lm
Power Consumption (W)	9 W
Input Voltage	120-277V AC
Colour Temperature (CCT)	2700K, 3000K, 3500K, 4000K
CRI	Ra 80, Ra 90
Dimensions (mm)	Ø 55 x 94 mm
Beam Angle	18°, 24°, 36°



IESNA LM-80

IESNA LM-79

IP20

5 YEARS LIMITED WARRANTY INCLUDED

GP-K55 80 (3.15")

Units in Metric

## Order Form

GP	K55	3	4	5	6	7	8
Series	Model						
<b>3. WATTAGE</b>	<b>4. VOLTAGE</b>	<b>5. CCT</b>	<b>6. BEAM ANGLE</b>	<b>7. DECORATIVE RING</b>	<b>8. DIMMING</b>		
<b>9</b> 9 W	<b>A</b> 120-277V AC	<b>27</b> 2700K <b>30</b> 3000K <b>35</b> 3500K <b>40</b> 4000K	<b>18</b> 18° <b>24</b> 24° <b>36</b> 36°	<b>BK</b> Black <b>WH</b> White <b>GD</b> Gold	<b>NN</b> None <b>PD</b> Phase Dim <b>DM</b> 1-10V <b>DL</b> DALI		