

TYPE: PROJECT: CATALOG#: LED DOWNLIGHT



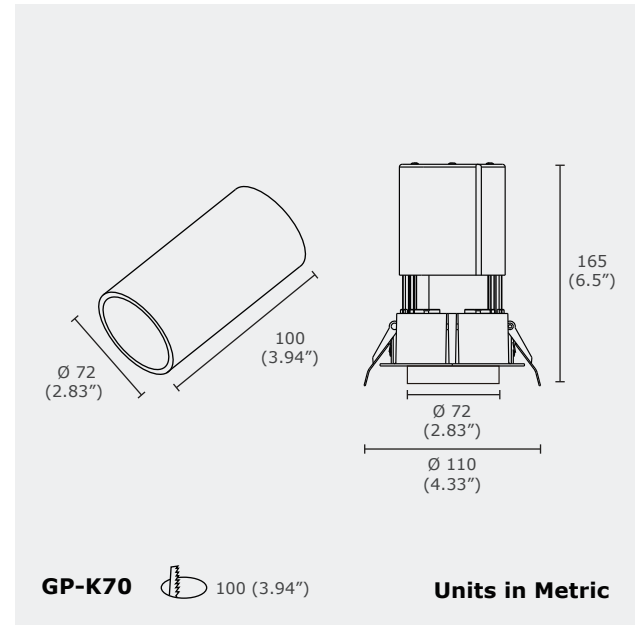
Product Features

GP-K70 is a LED downlight with extruded aluminum alloy. Decorative with ring of black, white and gold. The option of dimming is 1-10V Dimming with flexible lighting schemes & 350° rotatable and 90° tilt.

Technical Drawing

Product Specifications

Model	GP-K70-13	GP-K70-18
Lumen Output	1200-1300 lm	1600 - 1700 lm
Power Consumption (W)	13 W	18 W
Input Voltage	120-277V AC	
Colour Temperature (CCT)	2700K, 3000K, 3500K, 4000K	
CRI	Ra 80, Ra 90	
Dimensions (mm)	Ø 110 x 165 mm	
Beam Angle	15°, 25°, 30°	



Order Form

GP	-	K70	-	3	-	4	-	5	-	6	-	7	-	8
Series		Model												
3. WATTAGE		4. VOLTAGE		5. CCT		6. BEAM ANGLE		7. DECORATIVE RING		8. DIMMING				
13 13 W		A 120-277V AC		27 2700K		15 15°		BK Black		NN None				
18 18 W				30 3000K		25 25°		WH White		PD Phase Dim				
				35 3500K		30 30°		GD Gold		DM 1-10V				
				40 4000K						DL DALI				