

TYPE:

PROJECT:

CATALOG#:

LED FLOOD LIGHT



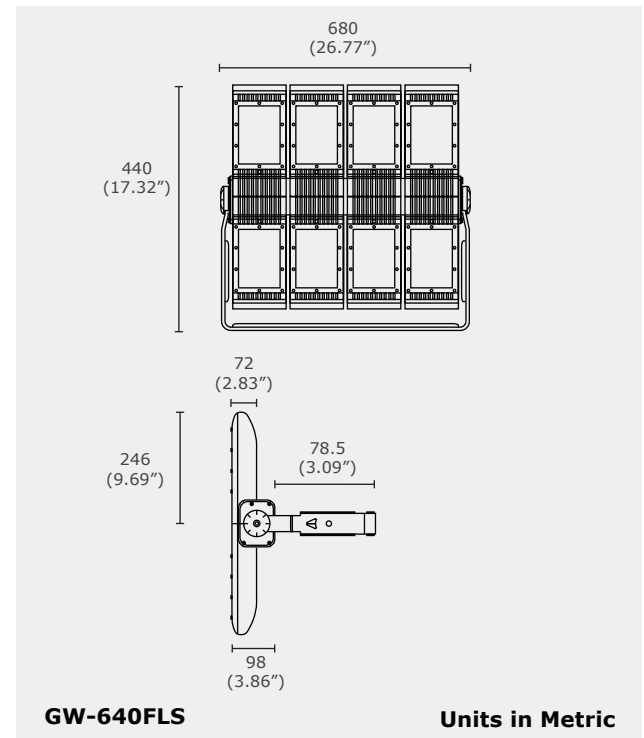
## Product Features

GW-640FLS is a LED flood light can be an alternative replacement for the outdated mercury lamps, having over 60% of energy savings compared with HID sources. The head is tiltable. It has a life-spent of over 50,000 hours with high power factor of > 0.95 and low LED junction temperature. It is rated IP65 for outdoor usage.

## Product Specifications

Model	GW-640FLS
Lumen Output	91,520 lm
Power Consumption (W)	640 W
Input Voltage	90-305V AC
Colour Temperature (CCT)	2700K - 6500K
CRI	Ra 70
Operating Temperature	-40°C - 45°C
Beam Angle	30°, 60°, 120°, 85° x 135°
Driver	Meanwell
IP Rating	IP65

## Technical Drawing






 IP65  
WATER & DUST PROTECTED

 IESNA  
 LM-79
 
 IESNA  
 LM-80
 
 5 YEARS  
LIMITED WARRANTY INCLUDED

## Order Form

GW	FLS	3	4	5	6
Series	Model				
<b>3. WATTAGE</b>	<b>4. VOLTAGE</b>	<b>5. CCT</b>	<b>6. BEAM ANGLE</b>		
<b>640</b> 640 W	<b>A</b> 90-305V AC	<b>CC</b> 2700K - 6500K	<b>30</b> 30°	<b>120</b> 120°	<b>60</b> 60°
			<b>135</b> 85° x 135°		