

TYPE:

PROJECT:

CATALOG#:



5 YEARS
LIMITED WARRANTY
INCLUDED

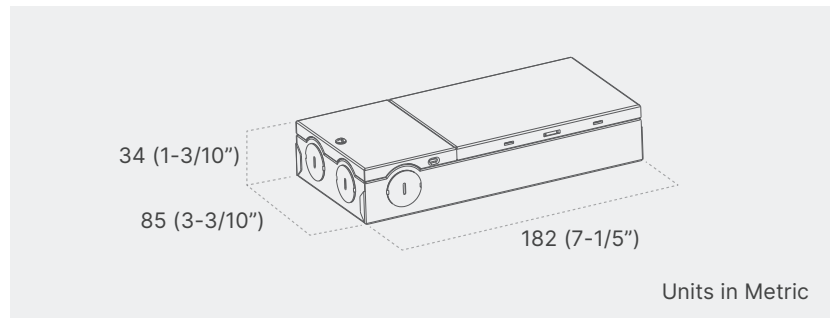


IP20
RATED & TESTED

Product Features

- Output constant voltage
- Universal AC input: 108-132VAC
- High efficiency :up to 86%
- Protection: short circuit / Over voltage.
- Integrated junction box for hard wire installation.
- Fully isolated metal case - Cooling by air convection.

Technical Drawing



Product Specifications

Model	GC-GDV048-120-12D	GC-GDV048-120-24D
Input Voltage	108-132V AC	108-132V AC
Rated Power	48W	48W
Output Voltage	12V AC	24V AC
Rated Current	4A	2A
PFC	0.6 (Full Loading)	0.6 (Full Loading)
IP Rating	IP20	IP20
Dimensions	34 x 85 x 182 mm	34 x 85 x 182 mm
Operating Temperature	-30°C ~ 45°C	-30°C ~ 45°C

Order Form

GC Series - GDV 2. Model - 3. Wattage - 4. Input - 5. Output

2. MODEL	3. WATTAGE	4. INPUT VOLTAGE	5. OUTPUT VOLTAGE
GDV GDV	048 48W	120 108-132V AC	12-D 12V AC 24-D 24V AC

TYPE:

PROJECT:

CATALOG#:

Dimming Operation

- *The Pulse-Width Modulation (PWM) of output voltage can be adjusted through input terminal of the AC phase line(L) by connection a triac dimmer.
- *Usually matching with leading edge/Forward Phase Triac Dimmers
(Can customized as a driver only matching trailing edge/reverse phase Triac Dimmers if needed).
- *Please try to use dimmers with power at least 2.5 times as the output power of the driver.
- *for Forward phase,Magnetic low voltage and Triac Dimmers

Warning

- *Prevent to reverse polarity;
- * Risk of Fire. Installation involves special wiring methods to run wiring through a building structure. Consult a qualified electrician;
- *Risk of Electric Shock. Mount the unit at a height greater than 1 foot from the ground surface.

Connecting Diagram

