

TYPE:

PROJECT:

CATALOG#:

LED WALL LIGHT

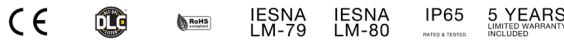


Product Features

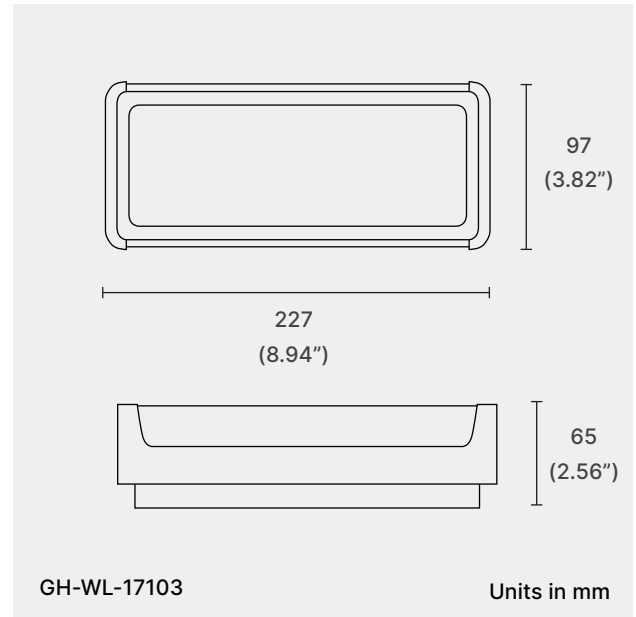
GH-WL-17103 is a LED wall light which is suitable to install in outdoor and wet locations. Its body is made of aluminum with PC diffuser and the luminaires are built with LED integral power supply unit.

Product Specifications

Model	GH-WL-17103
Lumen Output	1,560 lm
Power Consumption (W)	13 W
Efficacy	120 lm/W
Input Voltage	120-277V AC
Colour Temperature (CCT)	2700K, 3000K, 3500K, 4000K, 5000K
CRI	Ra80
IP Rating	IP65
Dimensions	277 x 97 x 65 mm



Technical Drawing



Order Form

GH - WL-17103 - 3 - 4 - 5 - 6
 Series - Model

3. WATTAGE	4. VOLTAGE	5. CCT	6. HOUSING
13 13 W	A 120-277V AC	27 2700K 35 3500K 50 5000K 30 3000K 40 4000K	BK Black SV Silver GR Gray