

TYPE:

PROJECT:

CATALOG#:

LED FLOOD LIGHT



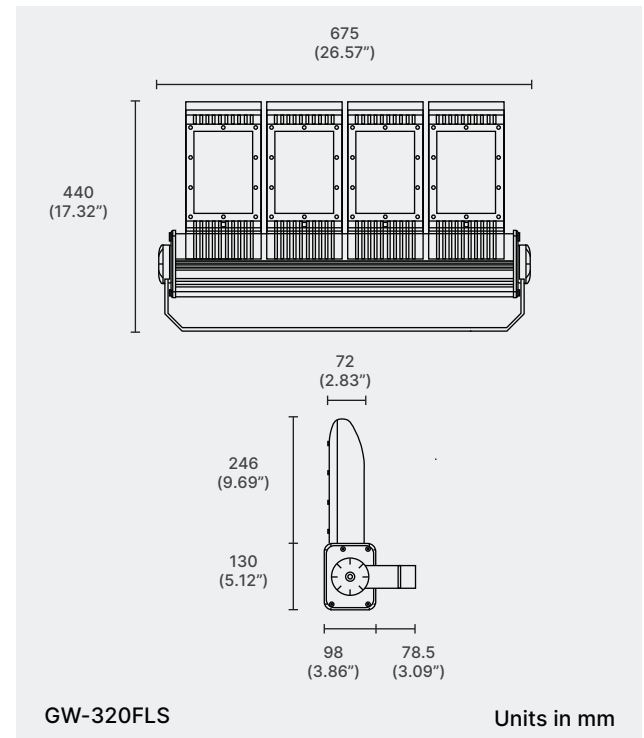
Product Features

GW-320FLS is an LED flood light can be an alternative replacement for the outdated mercury lamps, having over 60% of energy savings compared with HID sources. The head is tiltable. It has a life-span of over 50,000 hours with high power factor of > 0.95 and low LED junction temperature. It is rated IP65 for outdoor usage.

Product Specifications

Model	GW-320FLS
Lumen Output	38,400 lm
Power Consumption (W)	320 W
Input Voltage	90-305V AC
Colour Temperature (CCT)	2700K - 6500K
CRI	Ra 70
Operating Temperature	-40°C - 45°C
Beam Angle	30°, 60°, 120°, 85° x 135°
Driver	Meanwell
IP Rating	IP65

Technical Drawing



Order Form

GW _____ - FLS _____ - _____ - _____ - _____ - _____
 Series Model 3 4 5 6

3. WATTAGE

320 320 W

4. VOLTAGE

A 90-305V AC

5. CCT

CCT 2700K-6500K

6. SENSOR

30 30° 120 120°
 60 60° 135 85° x 135°