

TYPE:

PROJECT:

CATALOG#:

LED FLOOD LIGHT



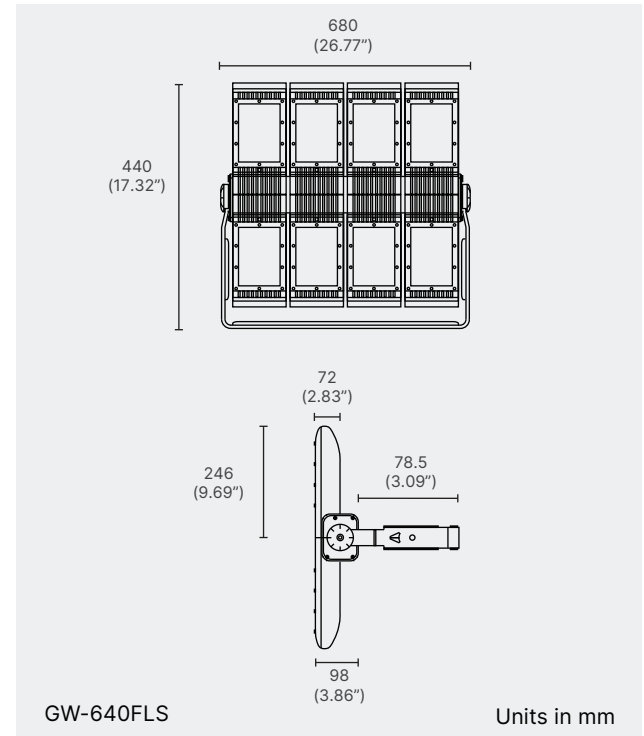
## Product Features

GW-640FLS is an LED flood light can be an alternative replacement for the outdated mercury lamps, having over 60% of energy savings compared with HID sources. The head is tiltable. It has a life-span of over 50,000 hours with high power factor of > 0.95 and low LED junction temperature. It is rated IP65 for outdoor usage.

## Product Specifications

Model	GW-640FLS
Lumen Output	76,800 lm
Power Consumption (W)	640 W
Input Voltage	90-305V AC
Colour Temperature (CCT)	2700K - 6500K
CRI	Ra 70
Operating Temperature	-40°C - 45°C
Beam Angle	30°, 60°, 120°, 85° x 135°
Driver	Meanwell
IP Rating	IP65

## Technical Drawing



IESNA LM-79

IESNA LM-80

IP65

5 YEARS LIMITED WARRANTY INCLUDED

## Order Form

GW	FLS	3	4	5	6
Series	Model				

### 3. WATTAGE

640 640 W

### 4. VOLTAGE

A 90-305V AC

### 5. CCT

CCT 2700K-6500K

### 6. SENSOR

30 30° 120 120°  
60 60° 135 85° x 135°