

TYPE: PROJECT: CATALOG#: **LOADING DOCK LED LIGHT**



IESNA LM-79 IESNA LM-80 5 YEARS LIMITED WARRANTY INCLUDED

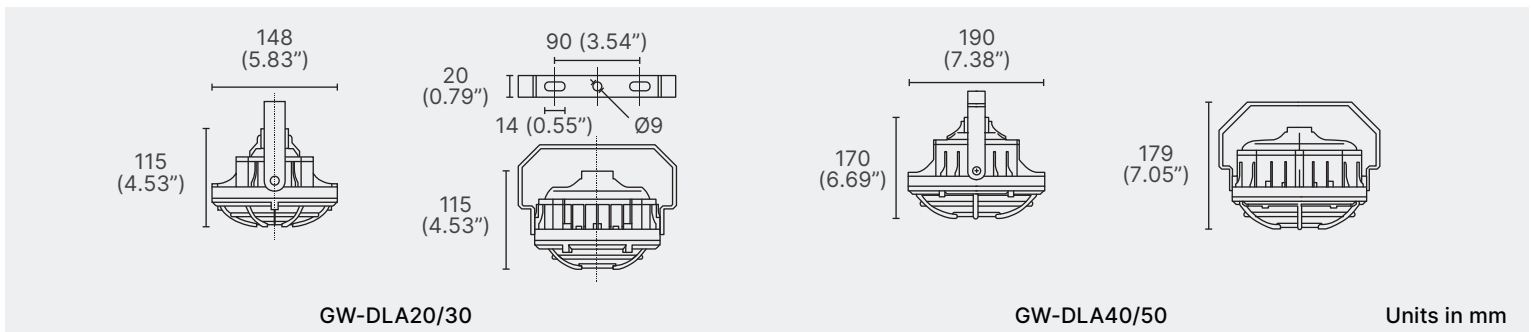
Product Features

GW-DLA is a loading dock LED light with a heavy-duty 14-gauge and designed of 1.5" square steel arms, with 4 available configurations to choose. The housing is made of die-cast aluminum and coated with 'safety yellow' powder finish. It has a lifespan of over 50,000 hours, which can eliminate light bulb replacement and/or clean-up. The kit reuses existing arms to minimize installation time and easy retrofitting. It comes with built-in heat dissipation, which means it is safe to touch at any time.

Product Specifications

Model	GW-DLA20	GW-DLA30	GW-DLA40	GW-DLA50
Lumen Output	1800 lm	2700 lm	3600 lm	4500 lm
Power Consumption	20 W	30 W	40 W	50 W
Input Voltage	120-277V AC	120-277V AC	120-277V AC	120-277V AC
Colour Temperature	4000K, 5000K	4000K, 5000K	4000K, 5000K	4000K, 5000K
CRI	Ra80	Ra80	Ra80	Ra80
Dimensions (mm)	148 x 148 x 146 mm	148 x 148 x 146 mm	190 x 190 x 179 mm	190 x 190 x 179 mm
Beam Angle	-20°C ~ 40°C	-20°C ~ 40°C	-20°C ~ 40°C	-20°C ~ 40°C
Working Humidity	30% to 90%	30% to 90%	30% to 90%	30% to 90%

Technical Drawing



Order Form

GW	-		-		-		-		-	
Series	Model		3	4	5	6				
2. MODEL	3. WATTAGE		4. VOLTAGE		5. CCT		6. ARM OPTIONS			
DLA DLA	20 20 W 40 40 W	30 30 W 50 50 W	A 120-277V AC		40 4000K 50 5000K	A1 A1 (40") B1 B1 (40")		A2 A2 (60") C1 C1 (60")		

TYPE:

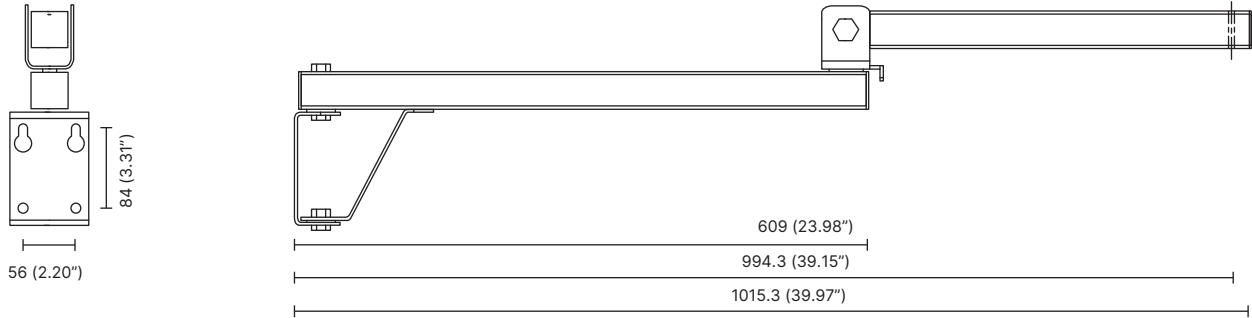
PROJECT:

CATALOG#:

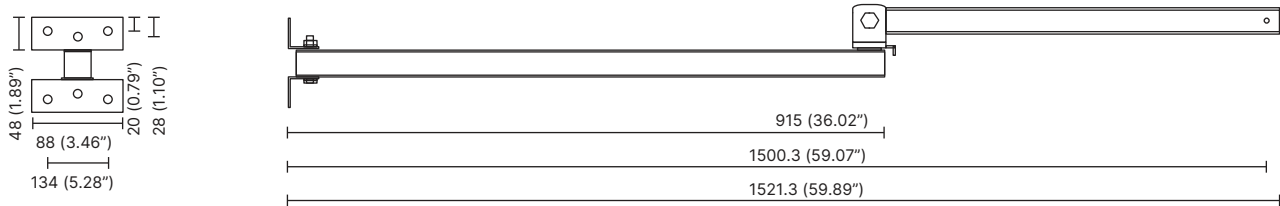
LOADING DOCK LED LIGHT

Technical Information

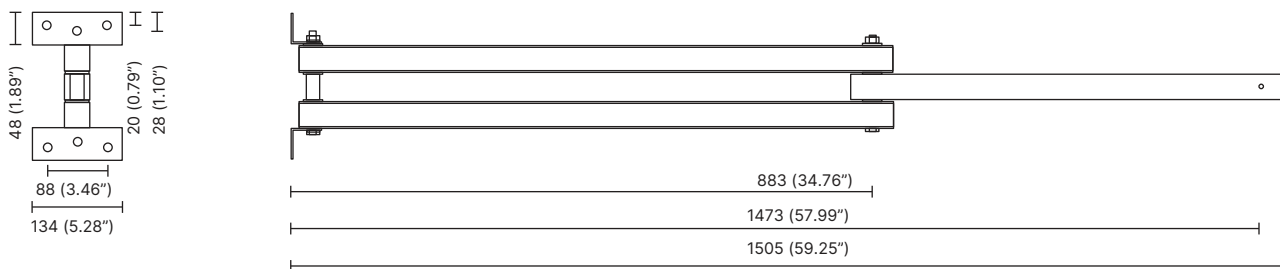
A1 (40")



A2 (60")



B1 (40")



C1 (60")

