

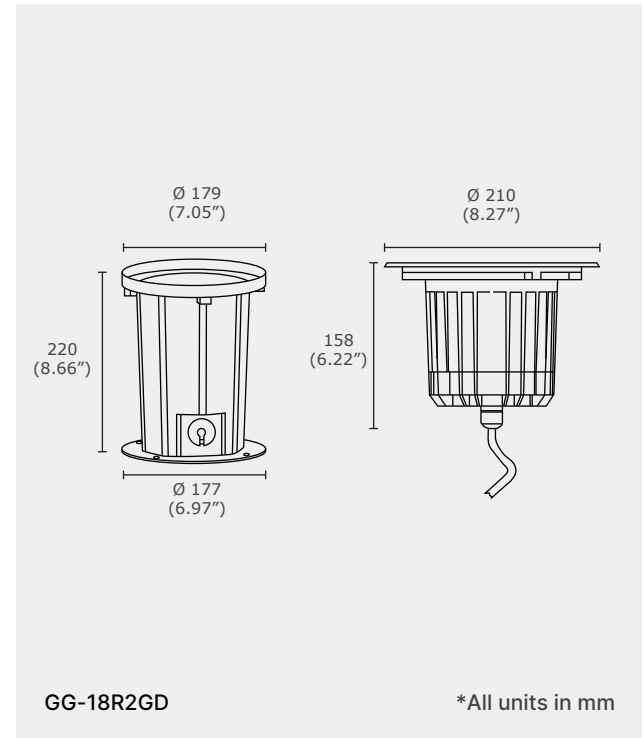
Product Features

GG-18R2GD is an in-ground light with the capability to perfectly illuminate any environment with a driveover rating. It has cool white or warm white colour temperature to choose. The body of this fixture is made of die-cast grey powder coated aluminum and step tempered white coating glass to ensure durability.

Product Specifications

Model	GG-18R2GD
Lumen Output	2,160 lm
Power Consumption (W)	18 W
Input Voltage	24V DC, 120V AC
Colour Temperature (CCT)	3000K, 3500K, 4000K
Dimensions	Ø 210 x 158 mm
IP Rating	IP67
CRI	Ra80
Beam Angle	24°
Loading Capacity	2,200 kgs
PFC	> 0.90
Weight	4 kgs

Technical Drawing



Order Form

GG	R2GD						
Series	Model	3	4	5	6	7	

3. WATTAGE	4. VOLTAGE	5. CCT	6. LENS	7. HOUSING
18 18 W	A 24V DC B 120/240V AC	30 3000K 40 4000K 35 3500K	24 24°	AL Aluminum

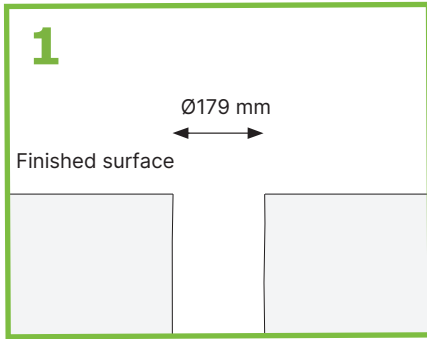
TYPE:

PROJECT:

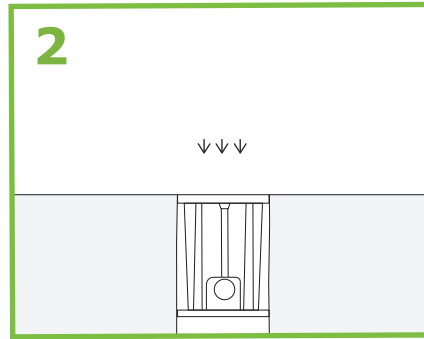
CATALOG#:

INGROUND LIGHT

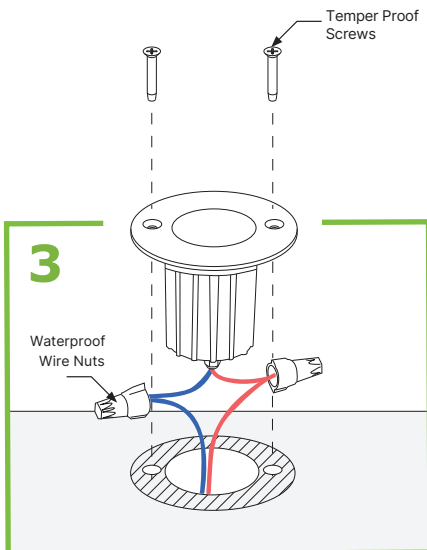
Installation Instruction



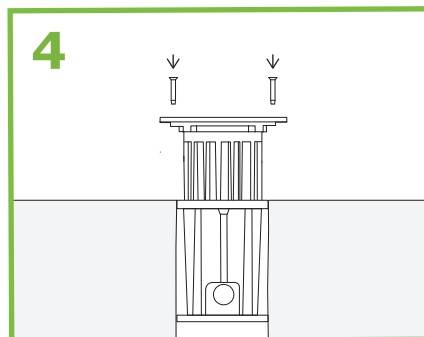
Drill Ø179 mm hole



Insert a sleeve into a hole



The power to the remote driver must be turned off while wiring LED fixtures to drivers. Connect fixture leads to box wiring using supplied waterproof wire nuts.



Carefully insert a fixture into the sleeve.
Use two screws to secure the trim.



Installation is completed